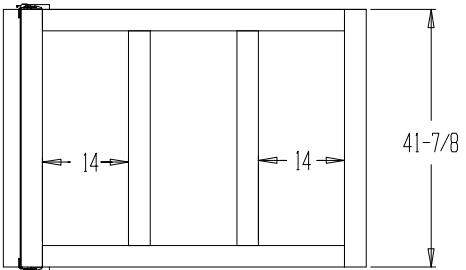
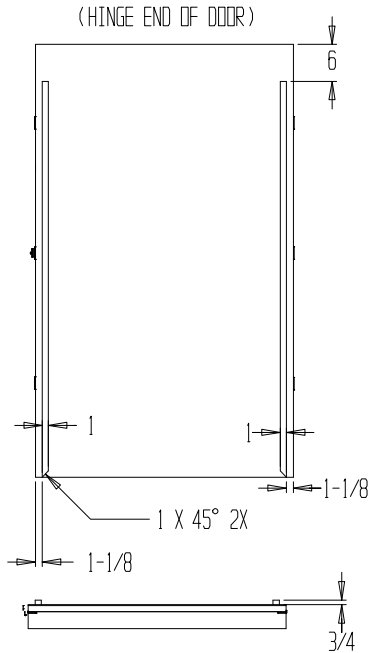
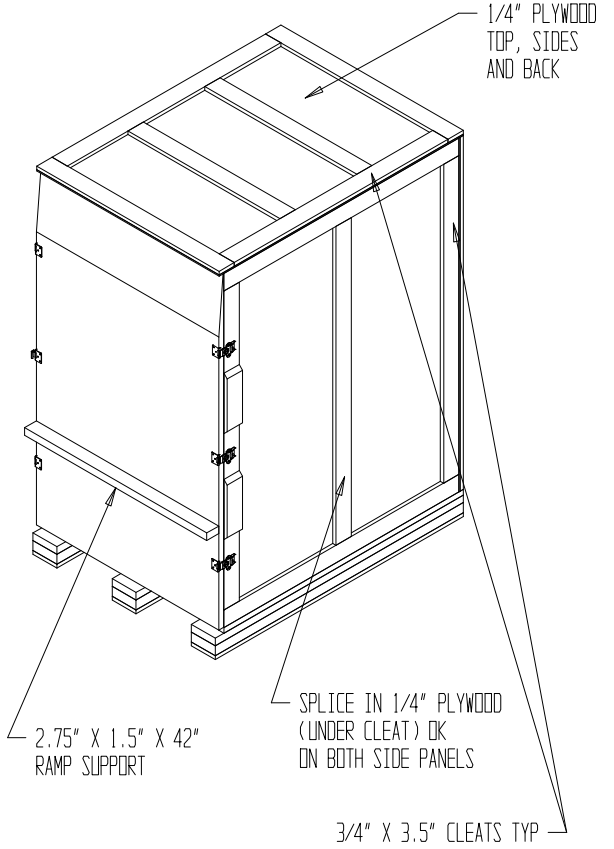
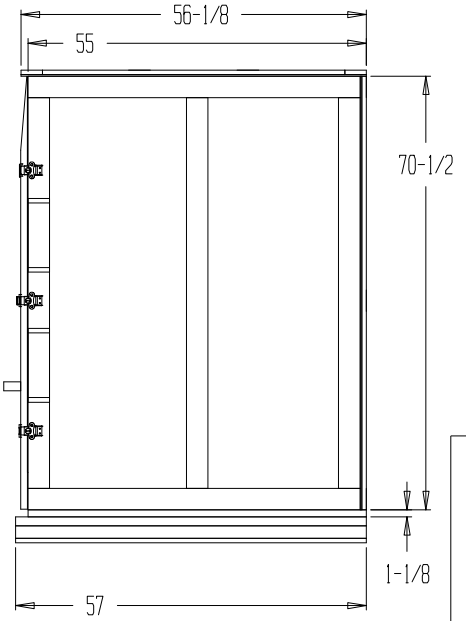
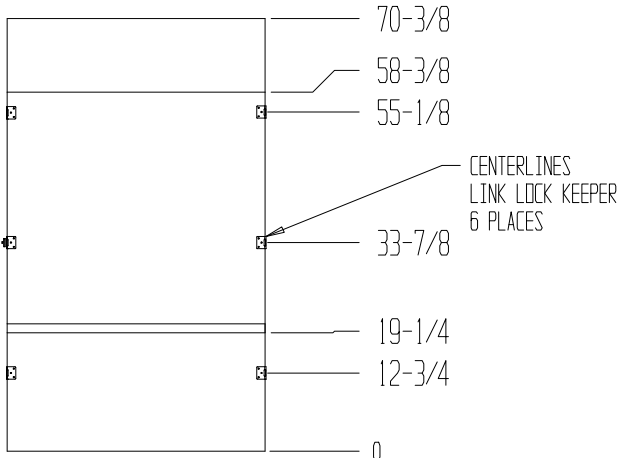


REVISIONS			
REV	DESCRIPTION	DATE	APPROVED
D	REDREW LOOSE BLOCKS	1-5-21	RAR
E	HEAT TREAT/WASHERS FOR BLKS	1-7-21	RAR



NOTE: ALL WOOD NEEDS TO BE HEAT TREATED TO COMPLY WITH ISPM-15 CERTIFICATION ALL 4 VERTICLE PANELS MUST BE STAMPED TO INDICATE WOOD WAS TREATED



DIMENSIONS ARE IN INCHES FRACTIONAL ± 1/8
XX ± .13
XXX ± .125

Roos Instruments

CRATE CASSINI 16

THIRD ANGLE PROJECTION RI P/N W1MFFHHE

RI CONFIDENTIAL AND PRIVILEGED INFORMATION SHEET 1 OF 3